



## Remote Temperature Sensor

### General

The remote temperature sensors are primarily used to transmit the measured air temperature in ducts or in immersion wells to TC24 or ET10 controllers which require remote sensing.

### Mounting

The duct sensor is position sensitive. It only senses the temperature at the place where it is installed. Therefore, in order to achieve a good temperature control, it is extremely important to choose an ideal place for installing the sensor.

### Model

TE10-1 (temperature sensor)

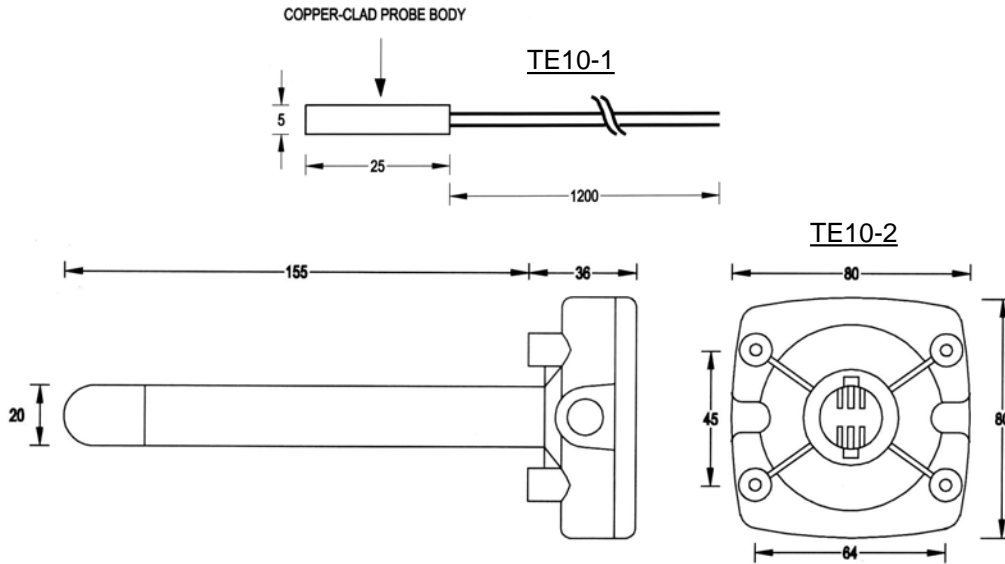
TE10-2 (temperature sensor with holder)

### Specification

Sensing element:	NTC
Temperature range:	0...30 °C
Wire length:	120 cm
Potection:	IP65 (TE10-1) IP53 (TE10-2)
Weight:	15g (TE10-1) 100g (TE10-2)



Dimensions in mm



Temperature Vs Resistant Chart

°C	Ω	°C	Ω
0	27280	16	14170
1	26234	17	13650
2	25188	18	13130
3	24142	19	12610
4	23096	20	12090
5	22050	21	11672
6	21232	22	11254
7	20414	23	10836
8	19596	24	10418
9	18778	25	10000
10	17960	26	9663
11	17306	27	9325
12	16652	28	8988
13	15998	29	8650
14	15344	30	8313
15	14690		